

STOP! Do not attempt to install panels until you READ these instructions.

1 Clean the Cup

First make sure that the panel surface and the suction cup are clean and free of dirt and debris.

Dampen the suction cup on your letter changing pole with a moist cloth but don't make the cup too wet.



Moisten the suction cup but do not make too wet

2 Place the Cup

Important. Correct placement of the suction cup on the letter face is vital to stability and ease of placement during installation.

Placement on the bottom center of the panel will give you the proper leverage for installation.



Suction Cup should be placed on the LOWER CENTER of the face

3 Angle the Cup

Adjust the angle on the cup so that when the panel is suctioned, the panel is parallel with the readerboard face.



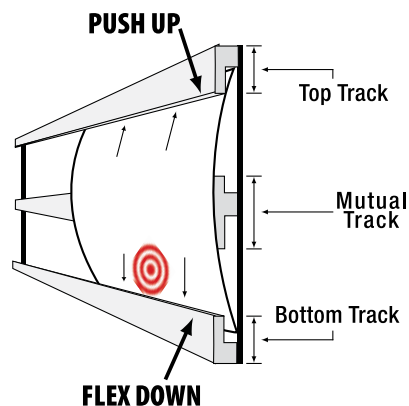
Cup parallel with readerboard

4 Install the Panel

Push panel up into the top track.

Flex and tuck the lower edge of the panel into the bottom track.

Twist pole to the left to release suction.



WARNING: Do not attempt to catch falling panels! Bodily injuries may occur.

Here is a helpful hint... A good pole and cup is the key to easy installation. You should replace your pole's suction cup once every 18-24 months or as you begin to see wear (cracked rubber face, tear in the rubber, etc.). For replacement accessories call: (800) 243.6676.